

1.27mm PCB Connectors

MPTB Series Single and Double Row Straight Thru Hole Headers

PRODUCT DETAILS

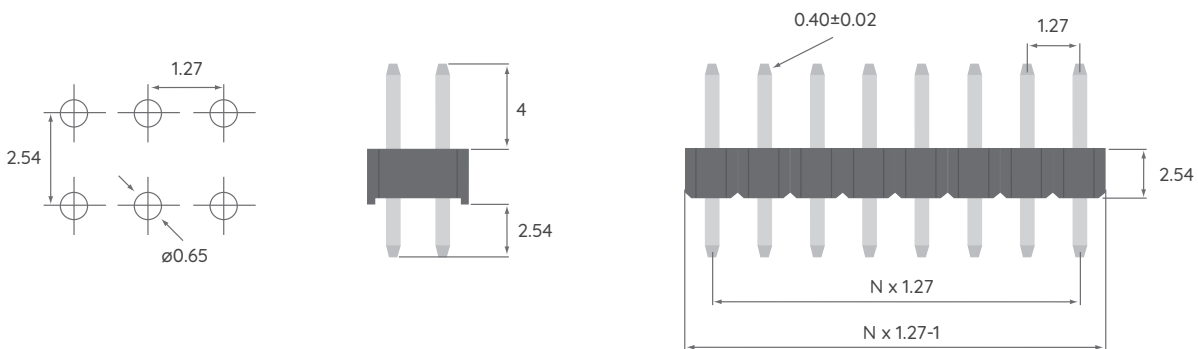
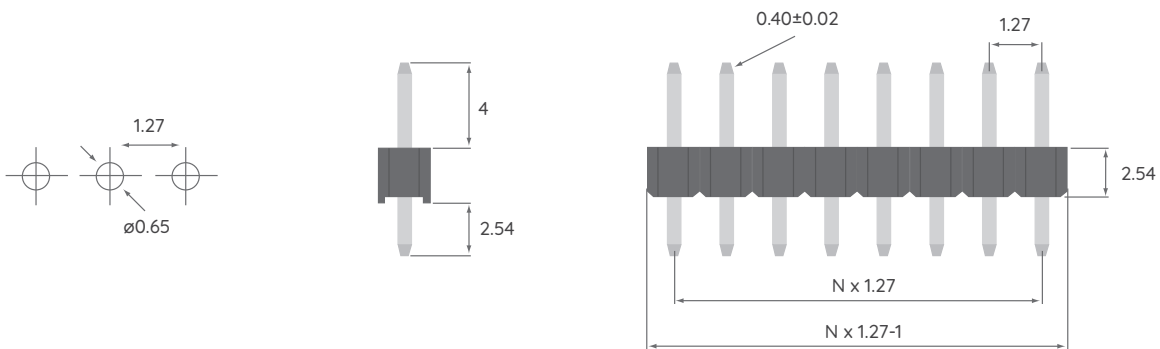
The Flex Connection range of 1.27mm Unshrouded Board Mounted PCB connectors provide a reliable high density interconnect system. We offer the widest range of product available on the market with single row and double row products with and without shroud and also in thru hole and SMD versions. Options for the shrouded connectors includes Right Angle, Vertical, Thru Hole, SMD in both Vertical and Right Angle with or without Fixing Pins. Product is supplied as standard with Gold plating in the contact area. These connectors are ideal to use to mate with high density 1.27mm connectors on Flexible Cables, Flexible Circuits and Membrane Switches.

FEATURES

 Quality Design

 Cost-Effective

DIMENSION OUTLINE



ELECTRICAL AND MECHANICAL PROPERTIES

Pitch	1.27mm
Contact Pin	0.40mm Square
Insulator Material	Black Polyester UL 94V-O
Mating Housing	Single Row: MH544 Standard Housing Double Row: MH938 Standard Double Row Housings
Number of Conductors	Single Row: 2 to 50 Ways Double Row: 4 to 100 Ways
Plating Options	Tin or Gold
Current Rating	3A AC, DC
Withstanding Voltage	500 AC
Temperature Range	-40 Deg C to + 150 Deg C
Contact Resistance	1000 MΩ

PART NUMBERING BREAKDOWN

