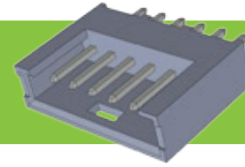


# 2.54mm PCB Connectors



## MPTADS Series Straight PCB Headers with Detent

### PRODUCT DETAILS

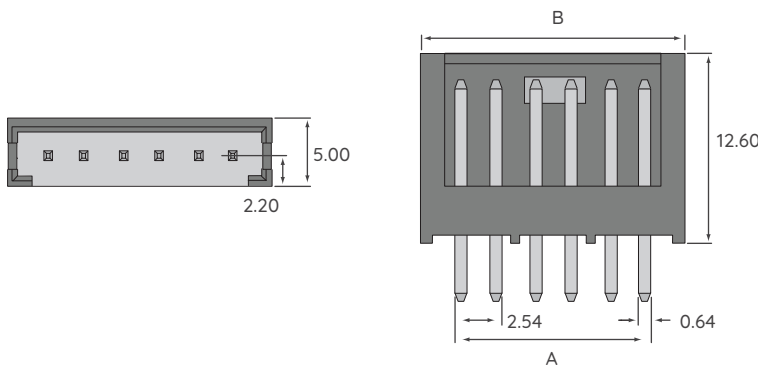
The Flex Connection range of 2.54mm Straight PCB Headers with Detent are ideal for mating with the MHD range of housings. This industry standard range of Detent connectors provide built in low profile polarisation and latching. The connectors are manufactured using Black PBT UL 94 VO insulator and 0.64mm square Gold plated pins as standard. With a Current Rating of 3A these PCB connectors have a temperature range of -25 Deg C to + 85 Deg C.

### FEATURES

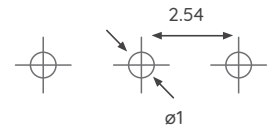
Quality Design

Cost-Effective

### DIMENSION OUTLINE



### RECOMMENDED PCB LAYOUT



NO. OF WAYS	PART NO.	DIMENSION MM	
		A	B
2	MPTADS02G	2.54	7.70
4	MPTADS04G	7.62	12.70
6	MPTADS06G	12.70	17.80
8	MPTADS08G	17.78	22.90
9	MPTADS09G	20.32	25.40
10	MPTADS10G	22.86	28.00
12	MPTADS12G	27.94	33.10
15	MPTADS15G	35.56	40.70
22	MPTADS22G	53.34	58.50

For other numbers of ways please consult your local sales office

## ELECTRICAL AND MECHANICAL PROPERTIES

Pitch	2.54mm
Contact Pin	0.64mm Square
Insulator Material	Black PBT UL 94V-O
Mating Housing	MHD/MHDH Standard Housing
Number of Ways	2 to 22 ways
Plating Options	Gold Plating as Standard
Current Rating	3A AC, DC
Withstanding Voltage	1000V AC
Temperature Range	-25 Deg C to + 85 Deg C
Insulation Resistance	1000 MΩ

## PART NUMBERING BREAKDOWN

